

Note.  
Standard nut M4 = 8 pcs.  
Lock washer M4 = 8 pcs  
put it in a separate zip bag in the package



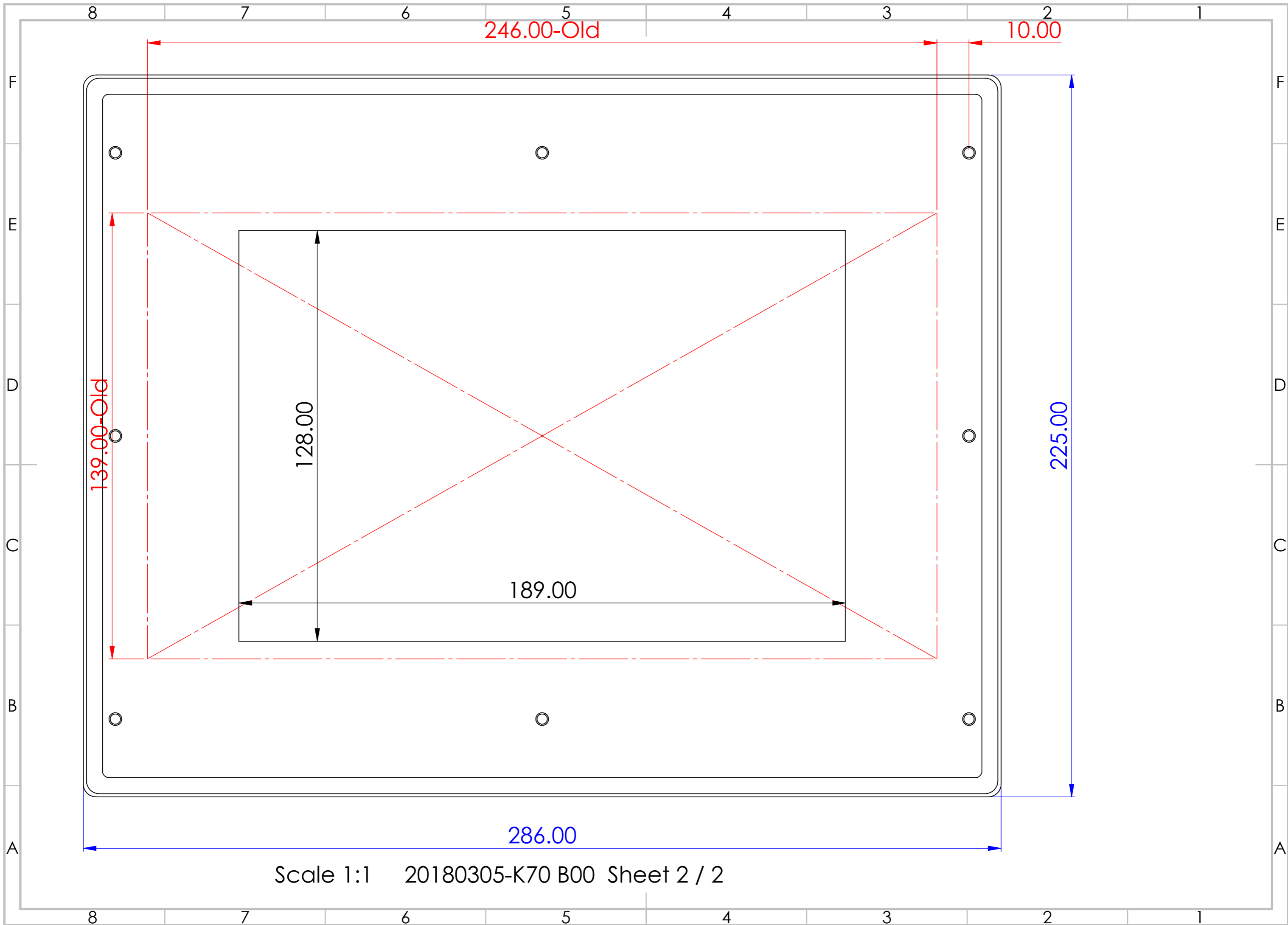
Scale 1:1  
Please see page. 2 / 2

Sheet 1 / 2

ITEM NO.	PART NUMBER	DESCRIPTION	QTY.
1	EXTER K70	EG =2.0T mm.	1
2	PEM FH-M4-12 X--N		8
3	Gasket K70	T=2.0 mm.	1
4	1700000030	Nut M4	8
5	1721480160	Lock Washer M4	8
6	2200000504	Powder paint interpon 610 silver fine texture	0.01

MATERIAL: - SURFACE TREATMENT:		THIS DRAWING REMAINS THE EXCLUSIVE PROPERTY OF THE GPV GROUP. IT SHALL NOT BE COPIED, REPRODUCED, DISCLOSED IN PART OR IN WHOLE, OR OTHERWISE MADE AVAILABLE TO THIRD PARTY WITHOUT OUR PREVIOUS WRITTEN CONSENT.
CUSTOMER: <b>Beijer</b> CUSTOMER/NO.:		
DESCRIPTION: Adaptor plate from K70/E1070 toX2 pro7		Surface: mm² Weight: g. SCALE: 1:1 A3
DATE: _____ RELEASED: _____ SIGN: _____	GPV ITEM NO.: <b>20180305-K70 B00</b> PROJECT NO.:	CHECKED QCC: _____ DATE: _____ SIGN: _____

All dimensions are in millimeter.



Scale 1:1 20180305-K70 B00 Sheet 2 / 2